

AREON

AREA LUMINAIRE

Outdoor Lighting | Area Luminaires



OVERVIEW

Power Selectable	Variant 1: 70W-100W-150W Variant 2: 150W-200W-240W-300W
Voltage	AC 100-277V or 277-480V, 50/60 Hz
Power Factor	0.9
Efficacy	Up to 134lm/W
CCT Selectable	3000K-4000K-5000K
R9 (Red Value)	-35
R13 (Skin Tones)	69-72-70
Beam Angle	150° x 90°
Light Distribution	TYPE III
BUG Rating	B3-U0-G3
Dimmable	Continuous Dimming to 10% or Below
Operating Temperature	-40°F ~ +122°F (Without Motion Sensor) -31°F ~ +122°F (With Motion Sensor)
Suitable Location	WET
Ingress Protection Rating (IP)	IP65
Impact Protection Rating (IK)	IK08
Average Life (Hours)	50,000
LED Source	Lumileds 2835
Driver	SOSEN: SS-160NH-E260BH
Power Supply	Hard Wired
Housing	Die-cast Aluminum
Cover Material	Polycarbonate
Diffuser	Clear
Finish	Bronze White
EPA	1.2 ft ²



Product Description

Areon Area Luminaire, crafted with Tier-1 domestically sourced components, ensures exceptional reliability and performance. Designed for versatility, it offers power and CCT selectability and high efficacy light output. Its IP65-rated die-cast aluminum housing ensures durable performance in challenging outdoor environments. Leveraging streamlined production systems and rigorous quality validation, Areon meets industry and compliance standards for federal projects.

Features

- Premium quality with BAA & BABAA compliance, crafted using Tier-1 domestically sourced materials to meet the 65% federal procurement mandate.
- Advanced CCT and power selectability enables precise light control, validated through photometric testing.
- IP65-rated die-cast aluminum housing provides exceptional durability and protection in demanding conditions.
- Equipped with 0-10V dimming functionality for seamless compatibility with standard lighting control systems.

Application Areas

Parking Lots, Auto Dealerships, Pathways, Roadways, Recreational Venues, and Other General Areas; Can Also be Used as Flood Lights.

Warranty



Warranty Limitations: To ensure eligibility, the product must be installed by a certified electrician in accordance with the guidelines outlined in the installation sheet. The fixture is designed for operation within ambient temperatures of -31°F to +122°F. The 10-year warranty remains valid only if all operating conditions strictly adhere to the parameters specified in the installation sheet. Any installation errors or deviations from the provided instructions will void warranty coverage.

Additional coverage options may be available for purchase—please contact IKIO representatives for more information. Warranty claims must be initiated by submitting a completed RMA form. For full warranty details and terms, refer to the comprehensive [warranty document](#).

AREON | Area Luminaires | Outdoor Lighting



Product Specifications

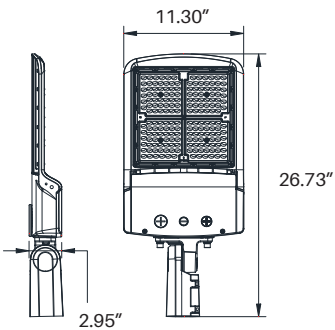
PART NUMBER	POWER SELECTABLE (OPTIONS)	VOLTAGE	LUMEN OUTPUT	EFFICACY	CRI	CURRENT	CCT SELECTABLE	THD	LIGHT DISTRIBUTION
	W	V	lm	lm/W		A	K		
IK-ARL2-01-S0150-MV-D-CCT-T3-01-XX-BFU	70	120V-277V	9379	134	70	0.61	3000-4000-5000	15%	TYPE III
	100		13398						
	150		20261						
IK-ARL2-02-S0300-MV-D-CCT-T3-01-XX-BFU	150	120V-277V	19439	130	70	1.23	3000-4000-5000	15%	TYPE III
	200		25918						
	240		31102						
	300		39647						
IK-ARL2-02-S0300-HV-D-CCT-T3-01-XX-BFU	150	277V-480V	19794	132	70	0.69	3000-4000-5000	15%	TYPE III
	200		26392						
	240		31671						
	300		40548						

Note: Custom manufacturing options in CCT, wattage, voltage, light distribution, finish, and more are available upon request, subject to MOQ and lead time considerations.

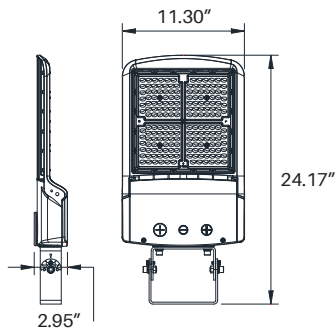
Dimensions

Variant 1: **IK-ARL2-01-S0150** (70W-100W-150W)

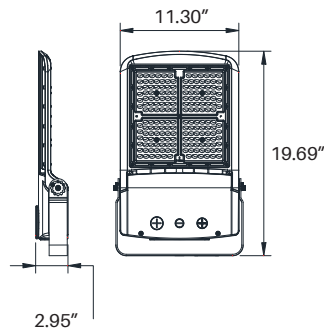
Slip Fitter Mount



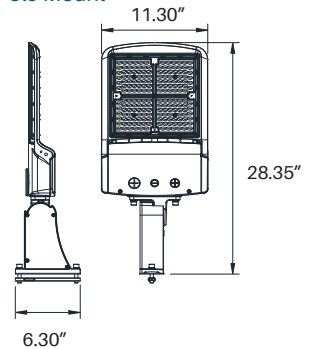
Yoke Mount



Flood Mount

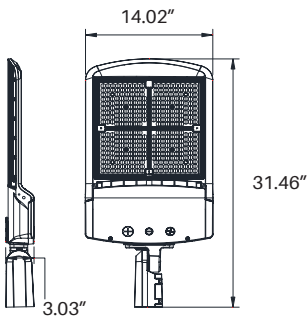


Pole Mount

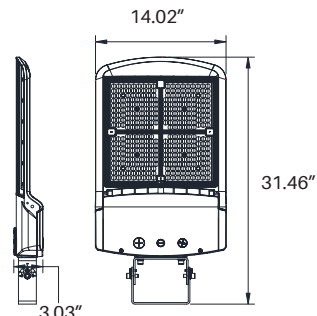


Variant 2: **IK-ARL2-02-S0300** (150W-200W-240W-300W)

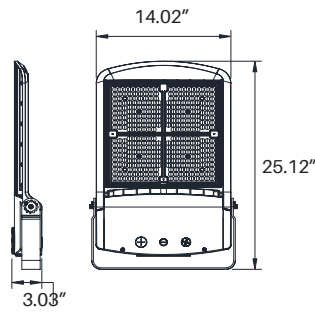
Slip Fitter Mount



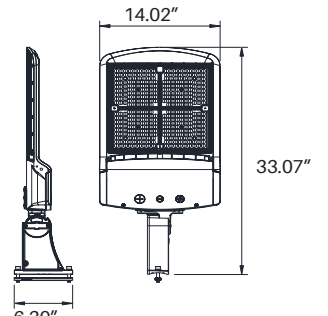
Yoke Mount



Flood Mount



Pole Mount



AREON | Area Luminaires | Outdoor Lighting



Product Ordering Information Typical order example: IK-ARL2-02-S0300-HV-D-CCT-T3-01-BR-BFU

LUMINAIRE FAMILY			ELECTRICAL / LIGHTING PERFORMANCE					CONSTRUCTION		
IK	ALR2				D	CCT	T3	01		BFU
BRAND	FAMILY/VERSION	VARIANT	POWER (W)	VOLTAGE	DIMMING	CCT (K)	DISTRIBUTION	DRIVER	FINISH	MANUFACTURER
IK IKIO	ALR2 AREON AREA LUMINAIRE	01	S0150 70W-100W-150W	MV 120V-277V	D DIMMABLE	CCT 3000K-4000K-5000K	T3 TYPE III	01 SOSEN	BR BRONZE WH WHITE	BFU BRIGHT FUTURE USA, INC
		02	S0300 150W-200W-240W-300W	HV 277V-480V						

Note: The High Voltage "HV" option is available for the "02" variant. Please ensure proper variant selection when choosing this option.

Accessories Ordering Information

PRODUCT CODE	DESCRIPTION	IMAGE	DOWNLOAD
IK-SBSLG2-YM	Yoke Mounting Bracket		Download
IK-SBSLG2-SF	Slip Fitter Mounting Bracket		Download
IK-SBSLG2-SRPM	Square & Round Pole Mounting Bracket		Download
IK-SBSLG2-FM	Flood Mount-Bracket		Download
IK-SBSLG2-TYPE5	T5 Lens		Download
IK-SBSLG2-SH	Shield		Download
IK-SHC-JL-208	Shorting CAP		Download
IK-PHC-3PIN	Photocell (3 Pin)		Download

PRODUCT CODE	DESCRIPTION	IMAGE	DOWNLOAD
IK-PHC-5PIN	Photocell (5 Pin)		Download
IK-PHC-7PIN	Photocell (7 Pin)		Download
IK-PHC-3PIN-SOCKET	Photocell (3 Pin) Socket		Download
IK-PHC-5PIN-SOCKET	Photocell (5 Pin) Socket		Download
IK-PHC-7PIN-SOCKET	Photocell (7 Pin) Socket		Download
IK-HB01DMS-A	Microwave Motion Sensor		Download
IK-HB03-R	Sensor Remote		Download